

# MX Series

## Desktop Profile 0.60 Inch Keyswitches



- ▶ [Back to Main Products Page](#)
- ▶ [Snap-Action Switch News](#)
- ▶ [Find a Rep / Distributor](#)
- ▶ [Request Quotation](#)
- ▶ [Ask a Question](#)
- ▶ [Application Help](#)
- ▶ [Request a Sample](#)
- ▶ [Request a Catalog](#)
- ▶ [Download Drawings \(.dxf\)](#)
- ▶ [Competitor Cross Reference](#)
- ▶ [Application Showcase](#)
- ▶ [RoHS Compliance](#)

### Features

- Desktop profile, 0.60 inch (15.2mm) from PCB (no keycap)
- Choice of feel: linear, soft tactile, click tactile
- PCB or frame mount
- Long life: 50 million operations (linear) and 20 million operations minimum (tactile)
- 4mm travel
- LED, diode or jumper option
- 12V maximum AC/DC
- Current Rating: 10mA
- Insulation Resistance: <100M $\bullet$  at 100V DC



[download PDF](#)

[Text Search](#)

[Product Series Search](#)

[Check Distributor Stock](#)

To download a PDF of the **Keyswitch Catalog**, [click here](#).



To download the latest version of Adobe Acrobat Reader, [click here](#).

### Specifications

#### Electrical

Voltage:	12 VAC/DC max. 2 VDC min.
Current:	10mA AC/DC max. 10 $\mu$ A DC min.
Insulation Resistance:	100M $\bullet$ at 100V
Initial Contact Resistance:	200m $\bullet$ (25m $\bullet$ typical)
Bounce Time:	$\leq$ 5msec (at 16 in/sec. actuation speed)
Capacitance:	<2pF (at 1kHz)
Operating Temperature:	-10 $^{\circ}$ C to +70 $^{\circ}$ C
Storage Temperature:	-40 $^{\circ}$ C to +70 $^{\circ}$ C
Flammability Rating:	UL94HB

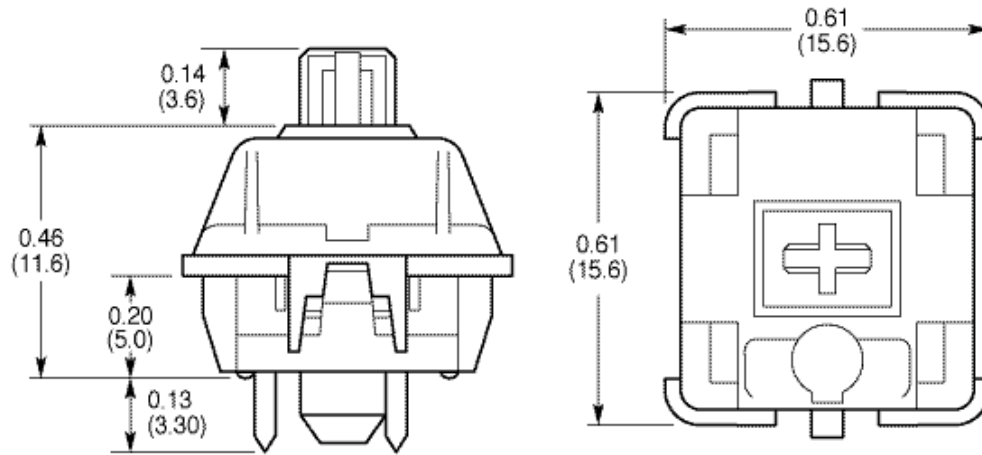
#### Materials

Case:	Thermoplastic
Contacts:	Silver-Gold?? (AuAg 10)
Spring:	Stainless Steel
Solderability:	Wave solder, 5 seconds at 500 $^{\circ}$ F

Approvals

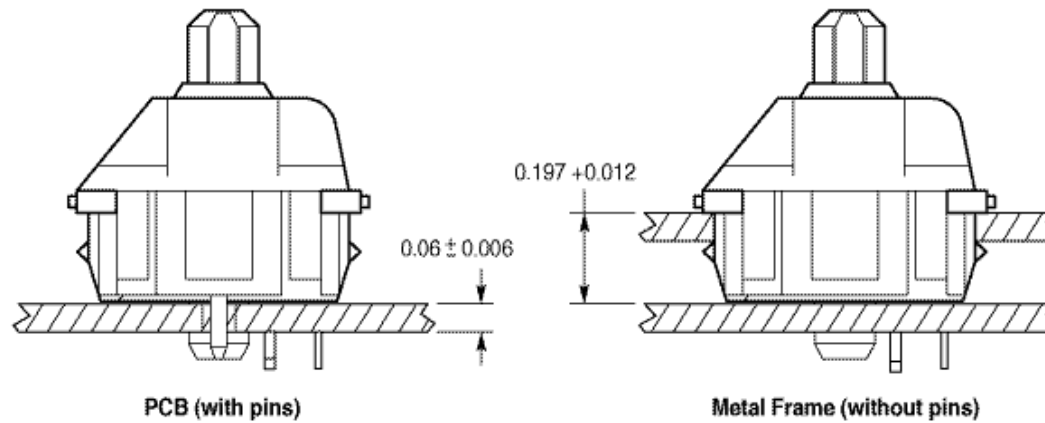


Dimensions



Inches (mm)

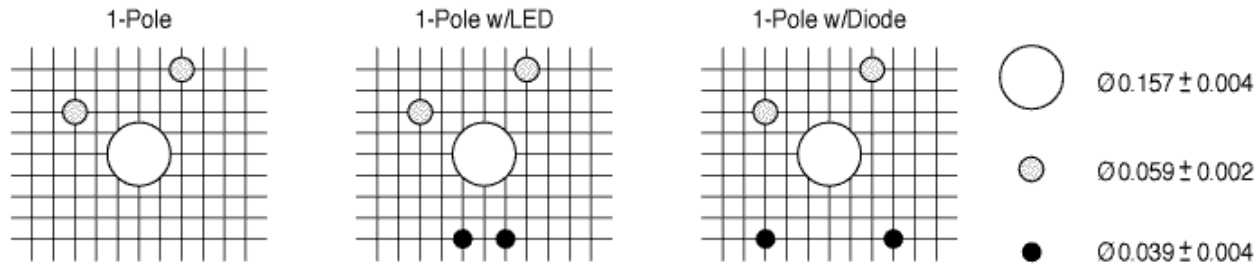
Mounting Options



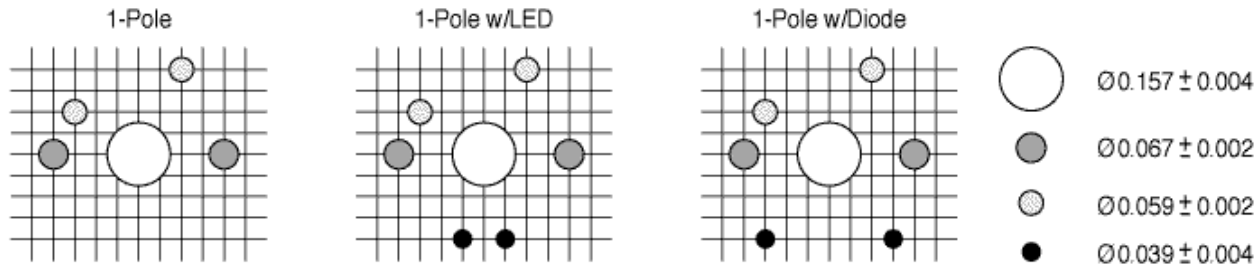
Inches (mm)

Circuit Board Layouts

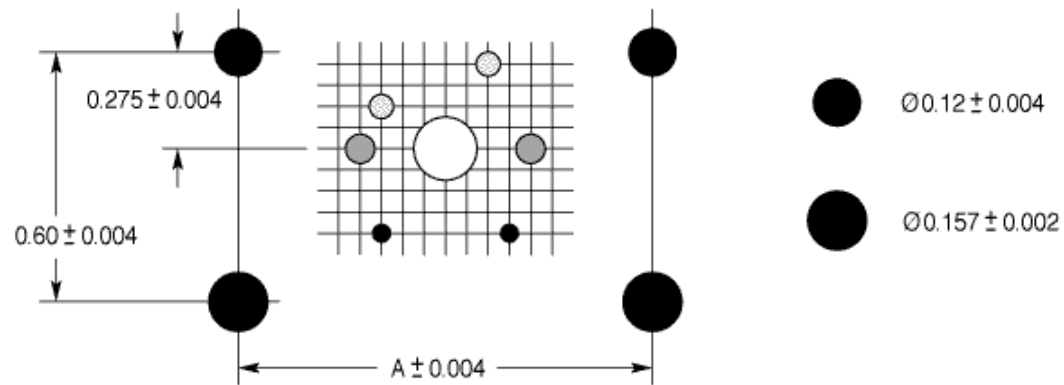
**Keyswitch without Fixation Pins**



**Keyswitch with Fixation Pins**



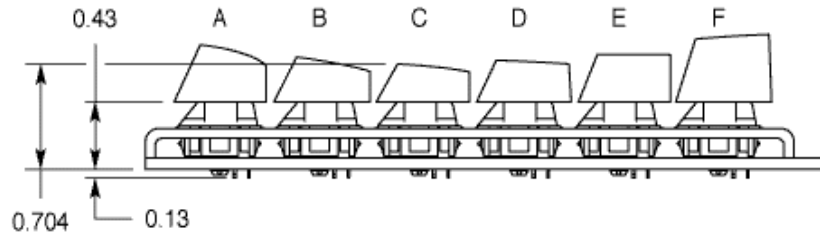
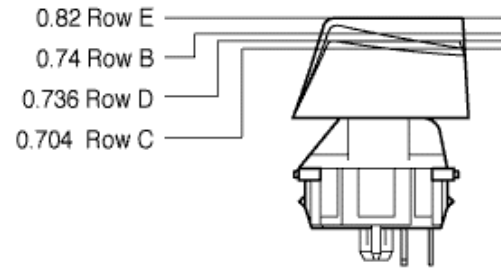
**Spacebar without Frame**



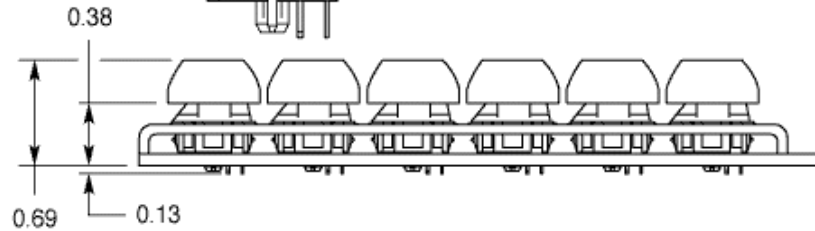
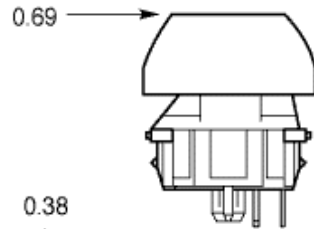
grid line spacing = 0.05 inch (1.27mm)

**Keycap Dimensions**

### Cylindrical Type (7mm)



### Standard Type (8mm)

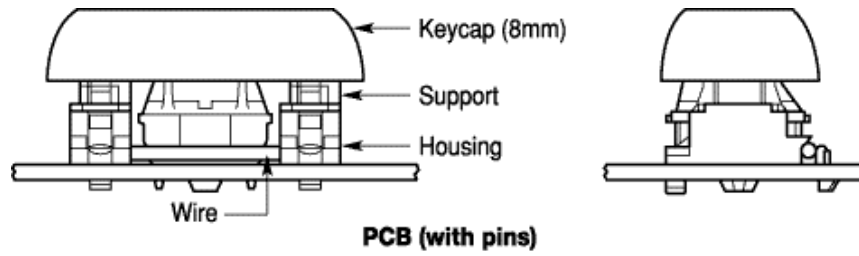


### Actuation Specifications

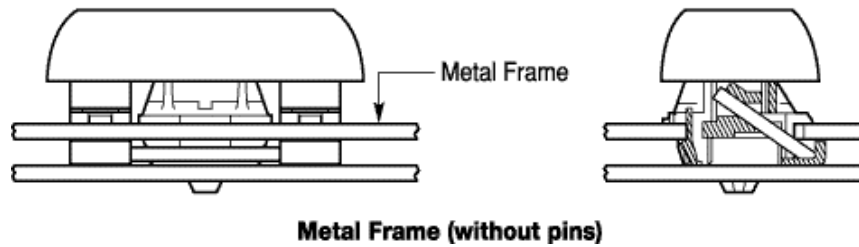
Mechanical Motion	Linear Feel	Soft Tactile Feel	Click Tactile Feel	Alternate Action
<b>Operating Force</b>	2.1 oz. ±0.7 oz.	2.0 oz. ±0.7 oz.	1.8 oz. ±0.5 oz.	2.1 oz. ±0.7 oz.
<b>Pretravel</b>	0.08 in. ±0.024 in.	0.08 in. ±0.024 in.	0.09 in. ±0.024 in.	0.05 in. ±0.015 in.
<b>Total Travel</b>	0.16 in. - 0.015 in.	0.16 in. - 0.02 in.	0.16 in. - 0.02 in.	0.16 in. - 0.01 in.
<b>Tactile Force</b>	N/A	2.3 oz. ±0.7 oz.	2.1 oz. ±0.5 oz.	N/A

## Spacebar Mounting Options

### PCB (with pins)

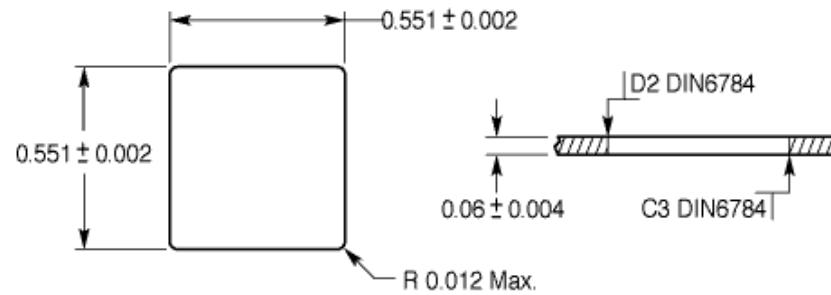


### Metal Frame (without pins)



## Metal Frame Cutout Dimensions

### Keyswitch



### Spacebar ( Keycap sizes 1x2, 1x2.5, 1x2.75)